

BP804VIII Series

Features:

- IP based LAN, WAN, Internet, ADSL, E1, Wireless Ethernet etc
- Support network protocol like SNMP V1, V2c, V3, HTTP, HTTPS, DNS, SMTP, DHCP, SNIP, SSH, SSL
- Support IPV4/IPV6
- Compatible with multi-brand, multi-model of UPS
- Available to add on temperature, humidity detect
- Available to add on USB device.



BP804VIII Mini
(internal)



BP804VIII Mini
(External)



BP804VIII
(External)



BP804VIII
(External)

Function:

- Support advantage encryption protocol such as HTTP, HTTPS, SSL, SSH, SNMPV1\2c\3
- Support telnet, super terminal, WEB page configuration
- Compatible with multi-brand and multi-type of UPS
- Support to add on Temp & Humid sensors via RS422/RS485 ports
- Support SNMP trap, E-mail alarm notification
- Support IPV4/IPV6
- Support scheduled task, remotely control UPS self-testing, switch ON/OFF, battery regularly charge/discharge
- Support 10000 history events and 5000 data record
- Comprehensive event handle (including event record and notification)
- Comprehensive managing function (data logs, SNTP and task schedule)

Summary



Task Schedule



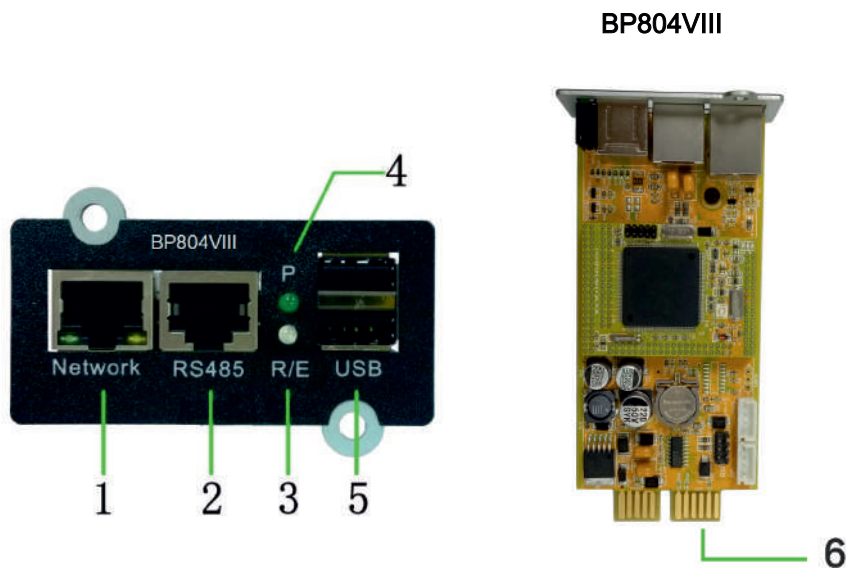
History Records



Communication Settings

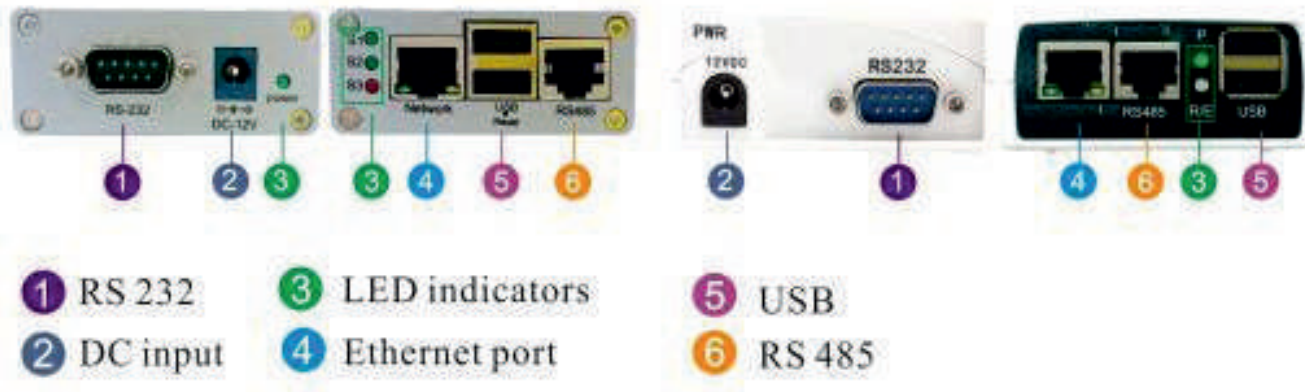


Ports Introduction (Internal):



- 1. Network:10/100M RJ45 Ethernet port, connect to network
- 2. RS485: RS485 port for extension
- 3. R/E: Device Offline,green indicator frequently flash,about 2.5Hz, Normal,green indicator normally flash,0.25Hz,2s light,2s dark
- 4. P : Power indicator,constantly on
- 5. USB: USB0, USB1, to USB device

Ports Introduction(External):



Network Diagram:

